

**EXPLECO**™  
L i m i t e d

# CRUSH GLASS WASTE FOR A SUSTAINABLE FUTURE.

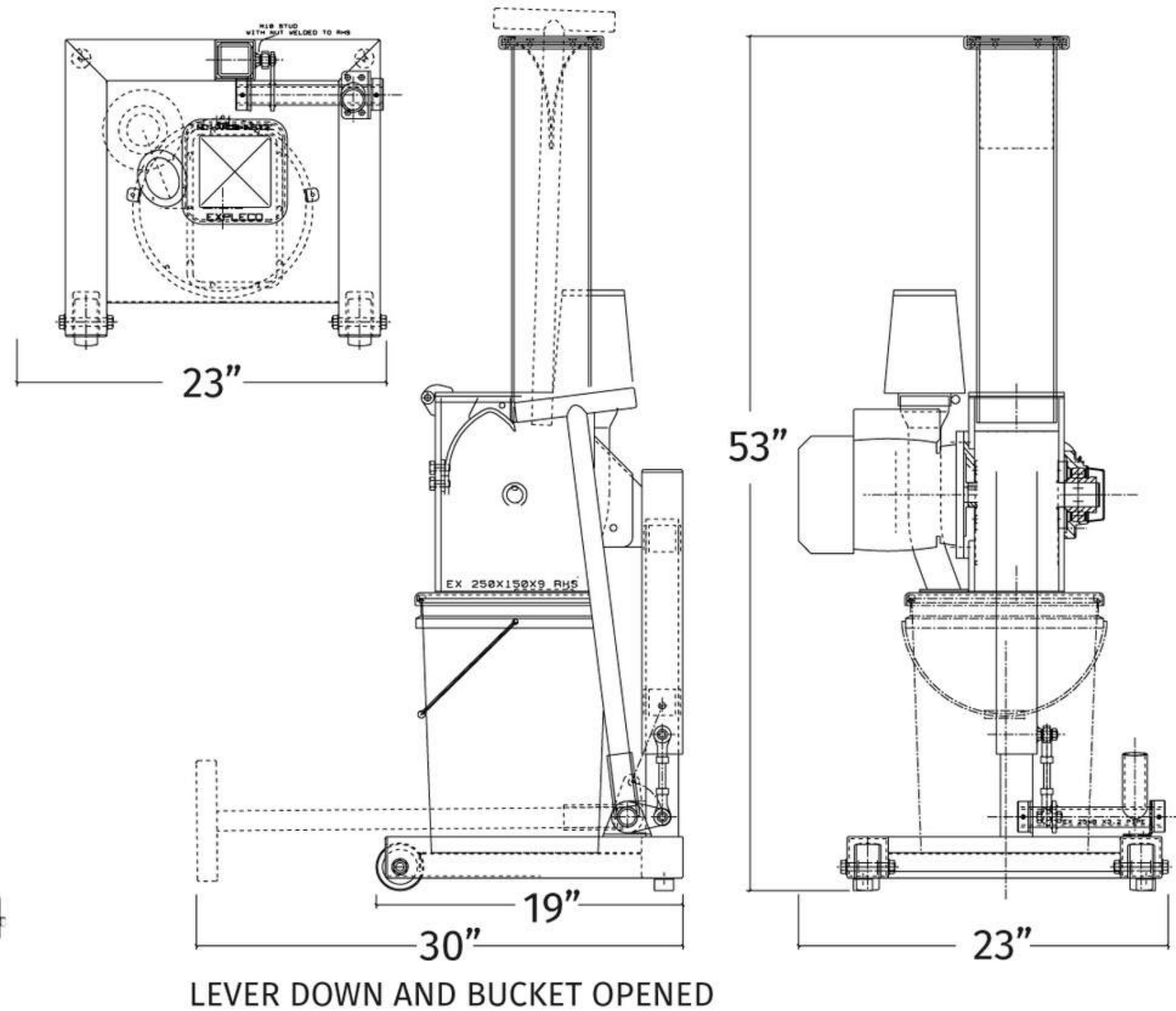
Designed in New Zealand





# GLSand

WATCH VIDEO



Designed in New Zealand

SINGLE FEED GLASS BOTTLE CRUSHER 300KG/PH

## **SPECIFICATIONS**

Dim: 581w (23") x 1346h (53") x 482d (19")

Weight: 90KG (200lbs) 100KG Packed (220lbs)

Reduction: 10:1 (Safe to handle sand)

Noise Level: 60-90db

Motor Size: 1.5kw

Feed Capacity: 300kg/ph

Bin Size: 20L Bucket (40kg Full)

Bin Capacity: 160 x 330ml Beer Bottles

Power: 220v 50/60hz

Consumables: See Specifications

Warranty: 12 Months (Excluding Consumables)

Particle Distribution: GLVscreen

## **CONSUMABLES**

Bottom Screen | Approx 5T

Hammer Set | Approx 12T

Top Safety Shroud | Approx 12T

Safety Collar/Flap | Approx 12T

## **PARTICLE DISTRIBUTION**

Deck 1: >3.4mm 10%

Deck 2: 3.4mm - 1.7mm 25%

Deck 3: 1.7mm - 1.1mm 20%

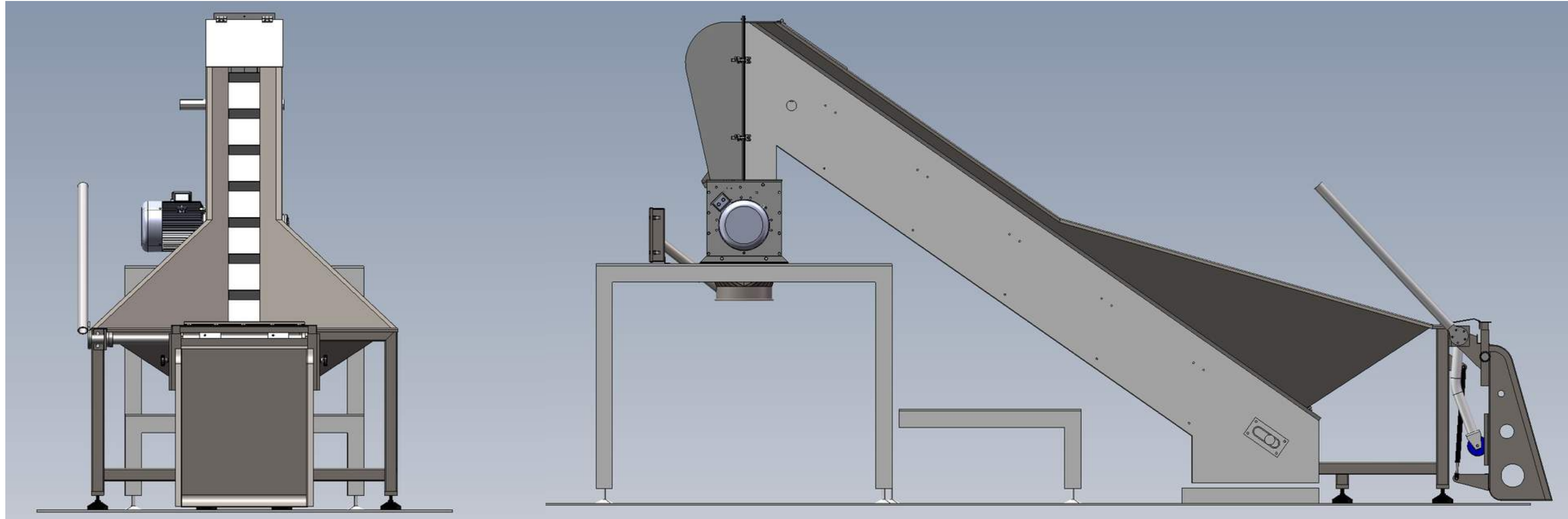
Deck 4: 1.1mm - 0.4mm 30%

Deck 5: < 0.4mm 15%

# AFSMini

INDUSTRIAL CRUSHER

WATCH VIDEO



Designed in New Zealand

AUTO FEED INDUSTRIAL GLASS BOTTLE CRUSHER 2T/PH

## **SPECIFICATIONS**

Width: 1571mm (62")

Height: 2277mm (90")

Depth: 4246mm (167")

Weight: 2T (2.2USt)

Reduction: 10:1 max

Bi-Product: Sand / Cullet

Noise: Industrial

Cullet: Conversion Kit

Motor: 3.0kw

Power: 380-440v 50/60hz

Bin: 1cbm / 2T max (4000 beer)

Operators: 1-2

Warranty: 12 months

## **CONSUMABLES**

Bottom Screen | 100-150T

Hammer Set | 200-300T

Top Safety Shroud | 450T

Liner Plates | 1000T

## **LVSCREEN DISTRIBUTION**

Deck 1: >3.4mm 10%

Deck 2: 3.4mm - 1.7mm 25%

Deck 3: 1.7mm - 1.1mm 20%

Deck 4: 1.1mm - 0.4mm 30%

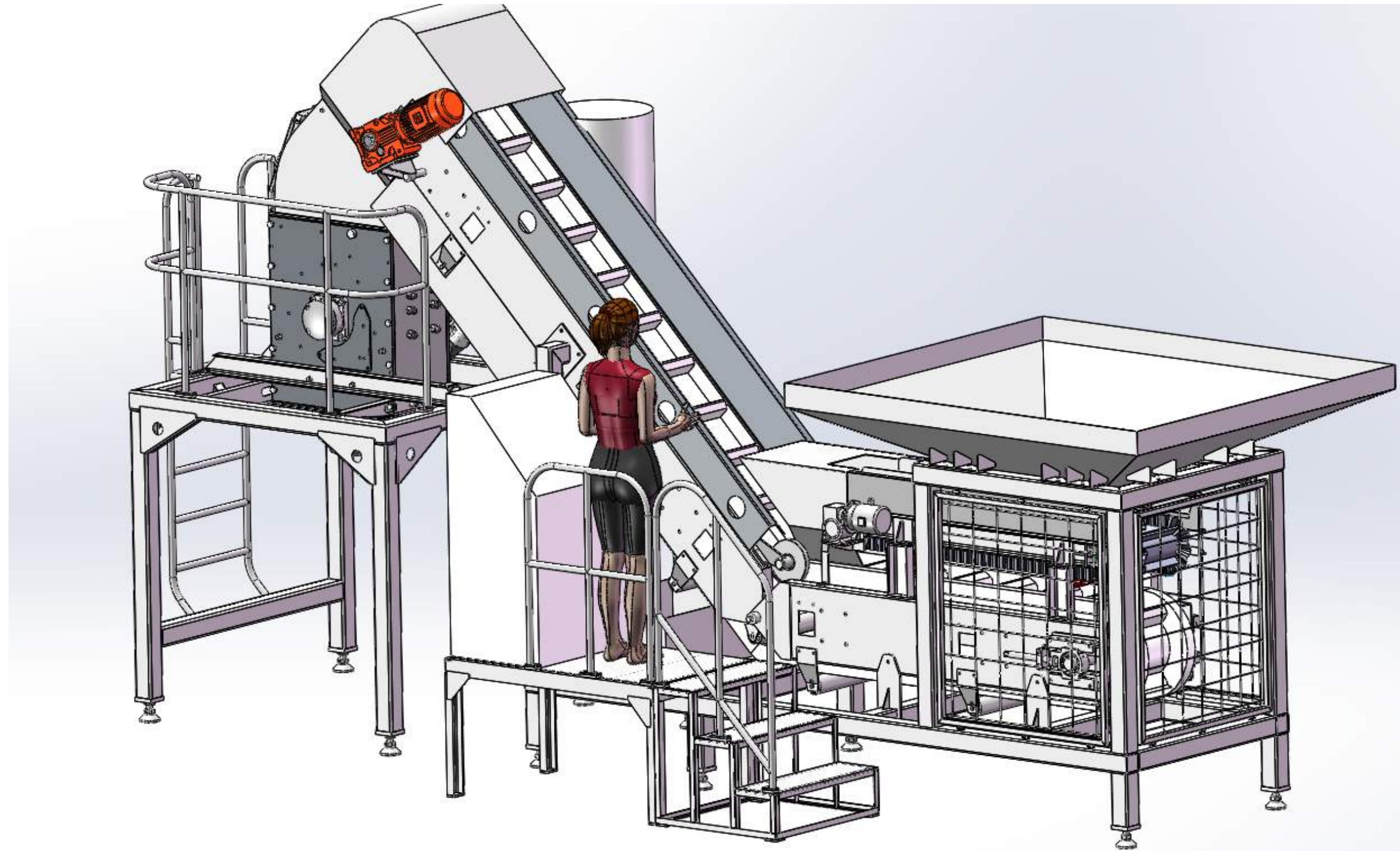
Deck 5: < 0.4mm 15%



# AFS MAXI

INDUSTRIAL CRUSHER

WATCH VIDEO



Designed in New Zealand

AUTO FEED INDUSTRIAL GLASS BOTTLE CRUSHER 5T/PH

## **SPECIFICATIONS**

Width: 2609mm (103")

Height: 3555mm (140")

Depth: 6661mm (262")

Weight: 7T (7.7USt)

Reduction: 10:1 max

Bi-Product: Sand / Cullet

Noise: Industrial

Cullet: Conversion Kit

Motor: 18.5kw

Power: 380-440v 50/60hz

Bin: 1cbm / 2T max(4000 beer)

Operators: 1-2

Warranty: 12 months

## **CONSUMABLES**

Bottom Screen | 200-250T

Hammer Set | 600-750T

Top Safety Shroud | 600-750T

Liner Plates | 2000T

## **LAB DISTRIBUTION**

Deck 1: >3.4mm 3.05%

Deck 2: 3.4mm - 1.7mm 9.07%

Deck 3: 1.7mm - 1.1mm 14.15%

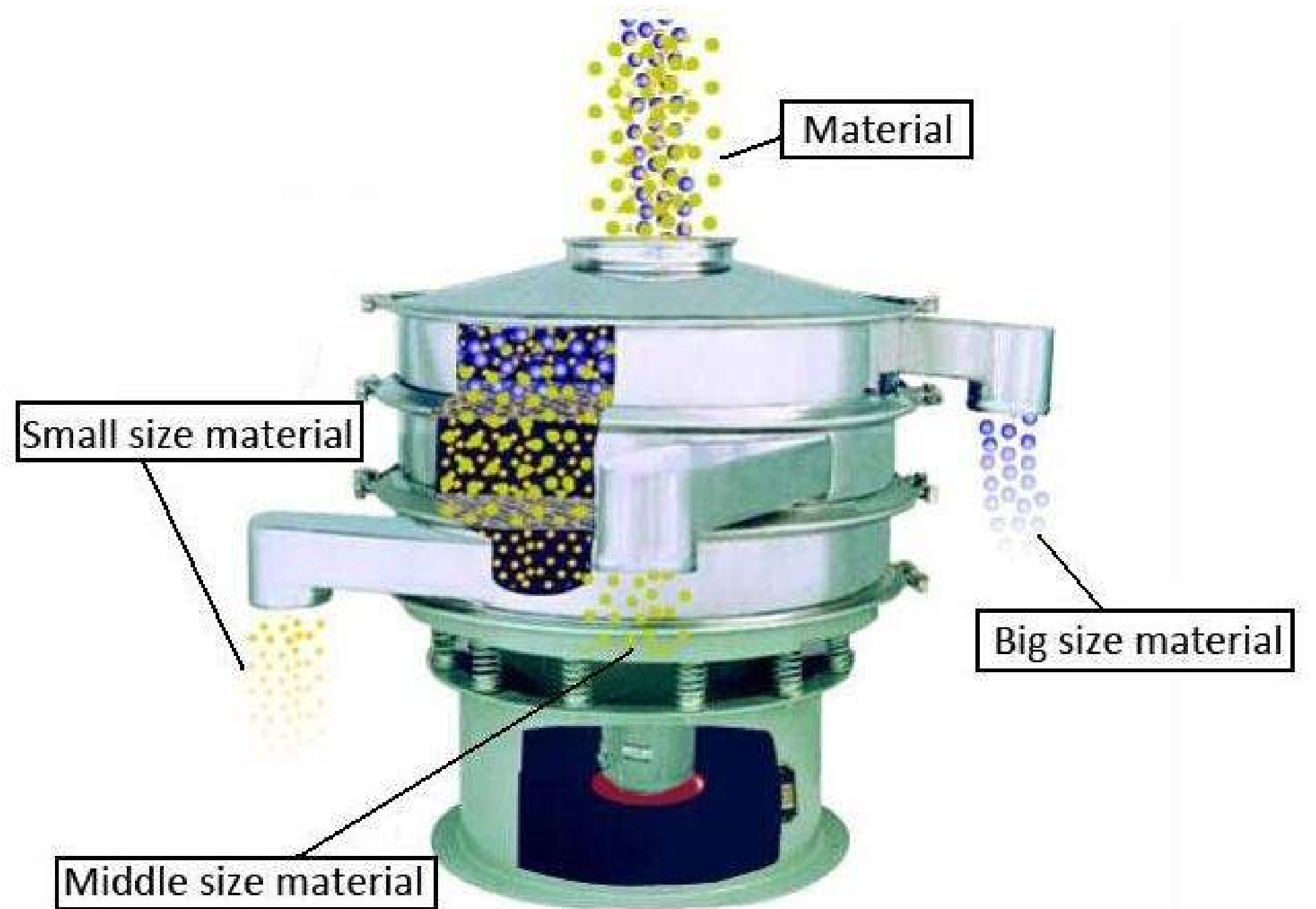
Deck 4: 1.1mm - 0.4mm 34.73%

Deck 5: < 0.4mm 38.60%

# LVScreen

VIBRATING GLASS SORTER

WATCH VIDEO



GLASS SAND SORTING MACHINE 500KG/PH



## **SPECIFICATIONS**

Width: 1100mm (43")

Height: 1555mm (61")

Depth: 1100mm (43")

Weight: 275kg (606lbs)

Decks: 5

Bi-Product: Graded Sand

Noise: Industrial

Power: 240v 50/60hz

Warranty: 12 months

## **CONSUMABLES**

Decks | Contact Us

## **GLSAND DISTRIBUTION**

Deck 1: >3.4mm 10%

Deck 2: 3.4mm - 1.7mm 25%

Deck 3: 1.7mm - 1.1mm 20%

Deck 4: 1.1mm - 0.4mm 30%

Deck 5: < 0.4mm 15%